

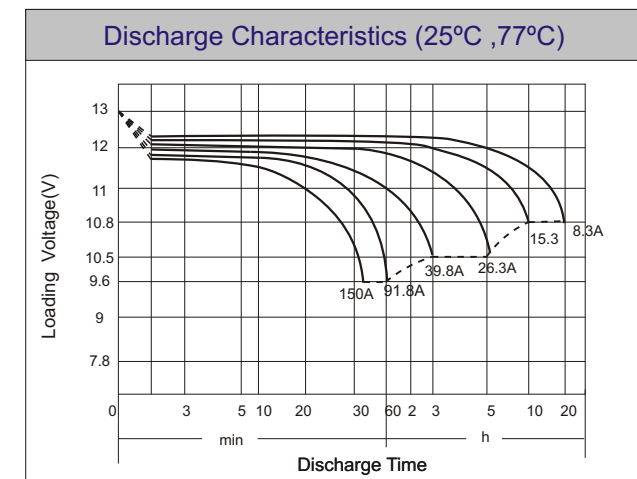
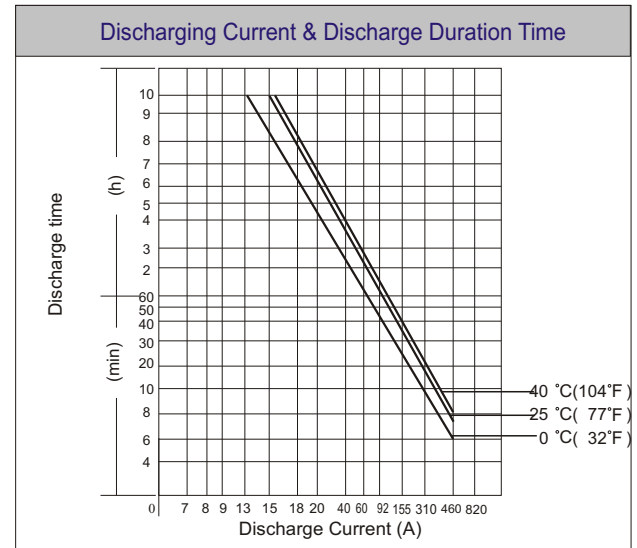
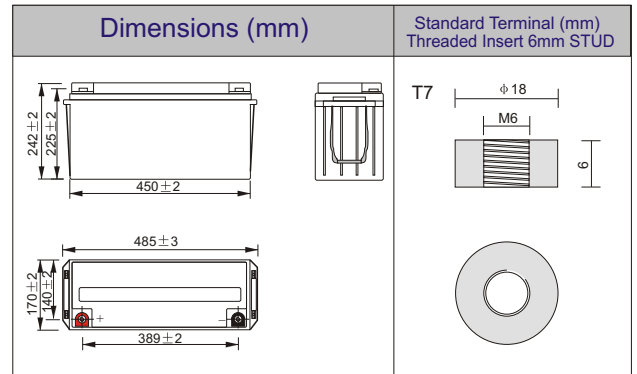


POWER-GUARD SERIES®



PG12V160

VRLA Sealed Long Life Battery



Physical Specification		
Nominal Voltage		12V
Nominal Capacity (20HR)		166AH
Dimension	Length	485 ± 3mm (19.09 inches)
	Width	170 ± 2mm (6.69 inches)
	Container Height	242 ± 2mm (9.53 inches)
	Total Height (with Cover)	242 ± 2mm (9.53 inches)
Weight		Approx 48.2kg (106.35lbs)
Standard Terminal		T7 Threaded Insert 6mm STUD

Electrical Specification					
Rated Capacity	20 hour rate (8.3 A)	166AH	Constant-Voltage	Cycle	Initial Charging Current less than 45A. Voltage 14.4V~ 15.0V at 25°C (77°F) Temp. Coefficient -30mV/°C
	10 hour rate (15.3 A)	153AH			
	5 hour rate (26.3A)	131.5AH			
	3 hour rate (39.8A)	119.4AH			
	1 hour rate (91.8A)	91.8AH			
Capacity affected by Temperature	40°C (104°F)	103%	Charge	Standby	No limit on Initial Charging Current Voltage 13.5V~13.8V at 25°C(77°F) Temp. Coefficient - 20mV/°C
	25°C (77°F)	100%			
	0°C (32°F)	86%			

Constant Current (Amp) and Constant Power (Watt) Discharge Table (25°C,77°F)														
Time(minute) Final voltage	10	15	20	30	45	60	120	180	240	300	360	480	600	1200
Amp/Watt/Cell	1.3	1.3	1.3	1.6	1.6	1.67	1.7	1.75	1.75	1.75	1.75	1.8	1.8	1.8
Amps	382.5	290.7	229.5	176.0	122.4	91.8	53.6	39.8	30.6	26.3	23.3	18.2	15.3	8.3
W/Cell	719.1	550.8	449.8	332.0	243.3	181.8	106.5	79.3	61.0	52.5	46.5	36.4	30.6	16.6